

A detailed 3D rendering of a grey industrial robot arm with a black gripper. The arm is shown in a dynamic pose, with one hand holding a small black component. The background is a light grey gradient.

**IMO**

# Case Study

A FOCUS ON IMO PRODUCT IN APPLICATION

**i3 Intelligent Controller**  
*Robot Pick & Place Solution*



[www.imopc.com](http://www.imopc.com)

# i3 Intelligent Controller

## Robot Pick & Place Solution

The end user required a system to replace a complicated robot interface and machine operating system, which was difficult to use. After a site survey, the IMO integrator selected the i3D as an ideal solution for the application, owing to its 10.4" touchscreen display and multiple communications options.

In this application it was decided to use the i3 together with XEL-BSSA, thus enabling the IO to be located in the machine control panel. The control system consists of the following (all mounted on the machine):

- 2 off dosing pumps
- 1 off robot
- Operator station
- Various machine travel limit switches, guard limit switches and control selectors

Mounted on a swing arm located by the operator station, the iCube is used to control all machine functions, including downloading of recipe parameters to the robot, initiating product cycle and resetting Estop circuits.

Using the inbuilt functionality of the iCube, access levels are password protected, thereby ensuring security of all settings, but still enabling efficient operator usage.



*Before the IMO control system was fitted, reliability of the machine was a problem and had a major impact on our productivity. Now the machine is easy to set up and operate, resulting in improved productivity.*

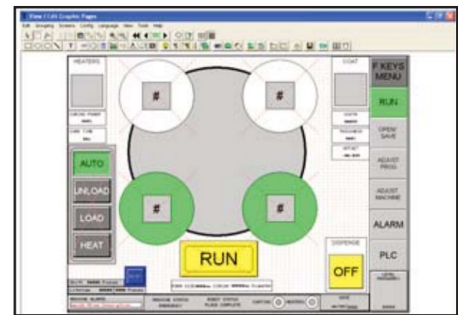
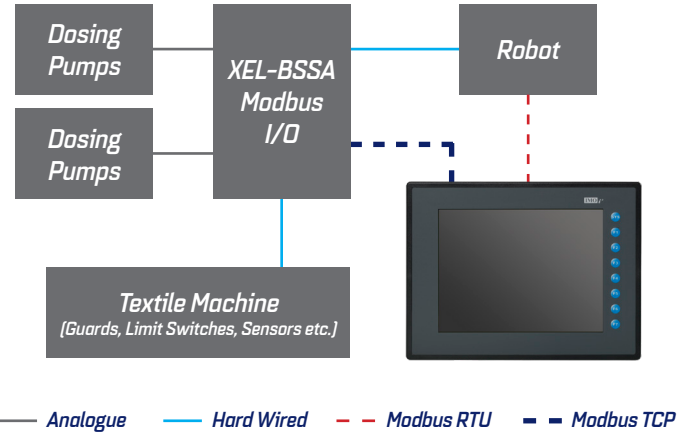
Testimonial, End User

*I am very impressed with the IMO system. The programming software is easy to use, but packed with functionality. Also, the support from IMO was outstanding.*

Testimonial, System Integrator



### System Technology:



The i3 range is available with different IO configurations, screen sizes and communication options. Pricing includes software and 3 year warranty.